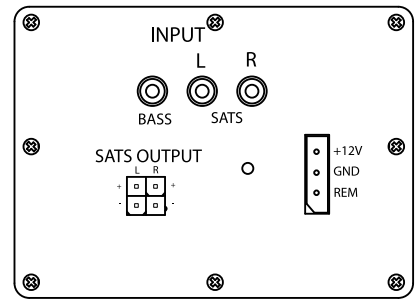


Back of Panel
P/N zVX-MP3S03



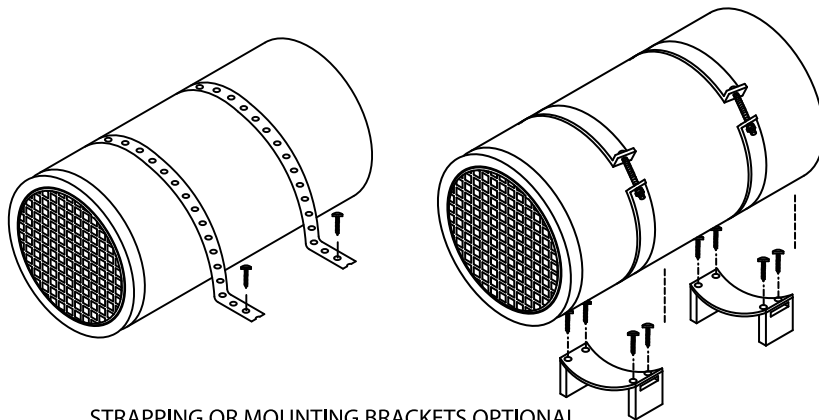
AMPLIFIER

CABLE ASSEMBLIES:

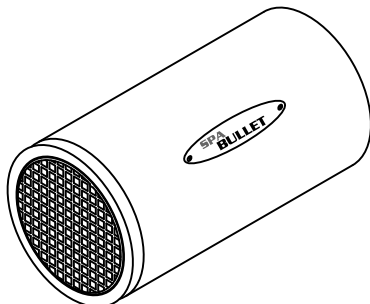
- P/N Z08M3M - Panel to Amp Power Cable
- P/N Z10M3T - Spa Power Supply to Panel Cable
- P/N Z10M4T - Speaker Output Harness
- P/N Z08RCA3 - Panel to Amp RCA Cable

POWERED SUBWOOFER SPECS (CS-P80A150V3)

- 150W Subwoofer Power (Incl 60W max each Channel Stereo)
- 8" Sub Woofer
- Subwoofer Sensitivity: 93dB
- AMP Frequency Response - 45Hz - 20KHz
- Dimensions: 8.5" round by 15.5" long
- High Performance Amp with treated PCB for ultra reliability
- Custom designs available
- AMP auto-Shut Off feature after 5 min. of no signal.



STRAPPING OR MOUNTING BRACKETS OPTIONAL



15.5" Version

!ATTENTION!

- Always test the performance of the subwoofer with the spa skirt/sides in place. Otherwise, poor bass performance may result.
- Although rare, please report all subwoofer damages from shipping immediately so that a claim may be made with the carrier. Do not use if there appears to be anything loose inside the subwoofer unit.
- Please call our Troubleshooting Hotline with any questions or suggestions at 1-704-658-9617.

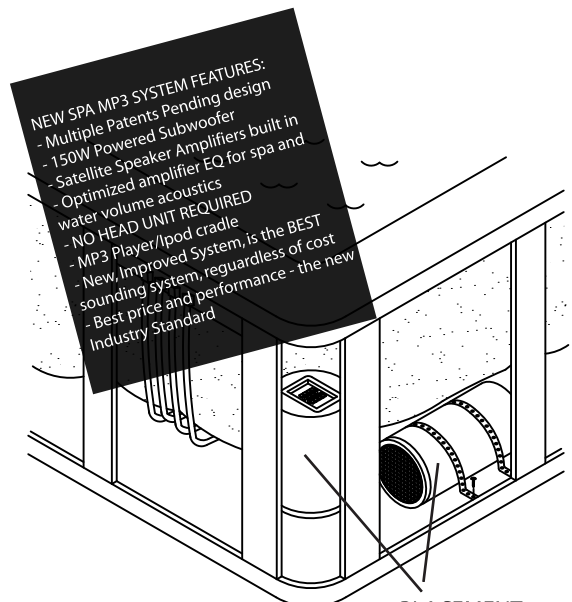
MP3 SYSTEM WIRING

1. Connect spa POWER SUPPLY to PANEL (Labeled "POWER") using Cable Z10M3T.
2. Connect PANEL (Labeled "To Sub") to SUB AMP power using Cable Z08M3M.
3. Connect PANEL RCA Outputs to SUB AMP RCA Inputs using Cable Z08RCA3.
4. Connect Satellite Speakers to SUB AMP using Harness Z10M4T.

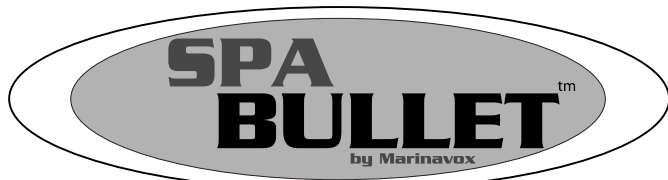
OPERATION

1. Connect MP3 Player Output to PANEL FRONT Input using supplied 6" mini phono jack cable.
2. Push in Power Button.
3. Adjust Bass and Treble Knobs on PANEL FRONT to obtain desired sound while MP3 player is playing.

NOTE: Make sure MP3 Player Volume is turned up and MP3 EQ is at the desired settings.



PLACEMENT OPTIONS



www.vidsonix.com www.marinavox.com
www.RsubZ.com